

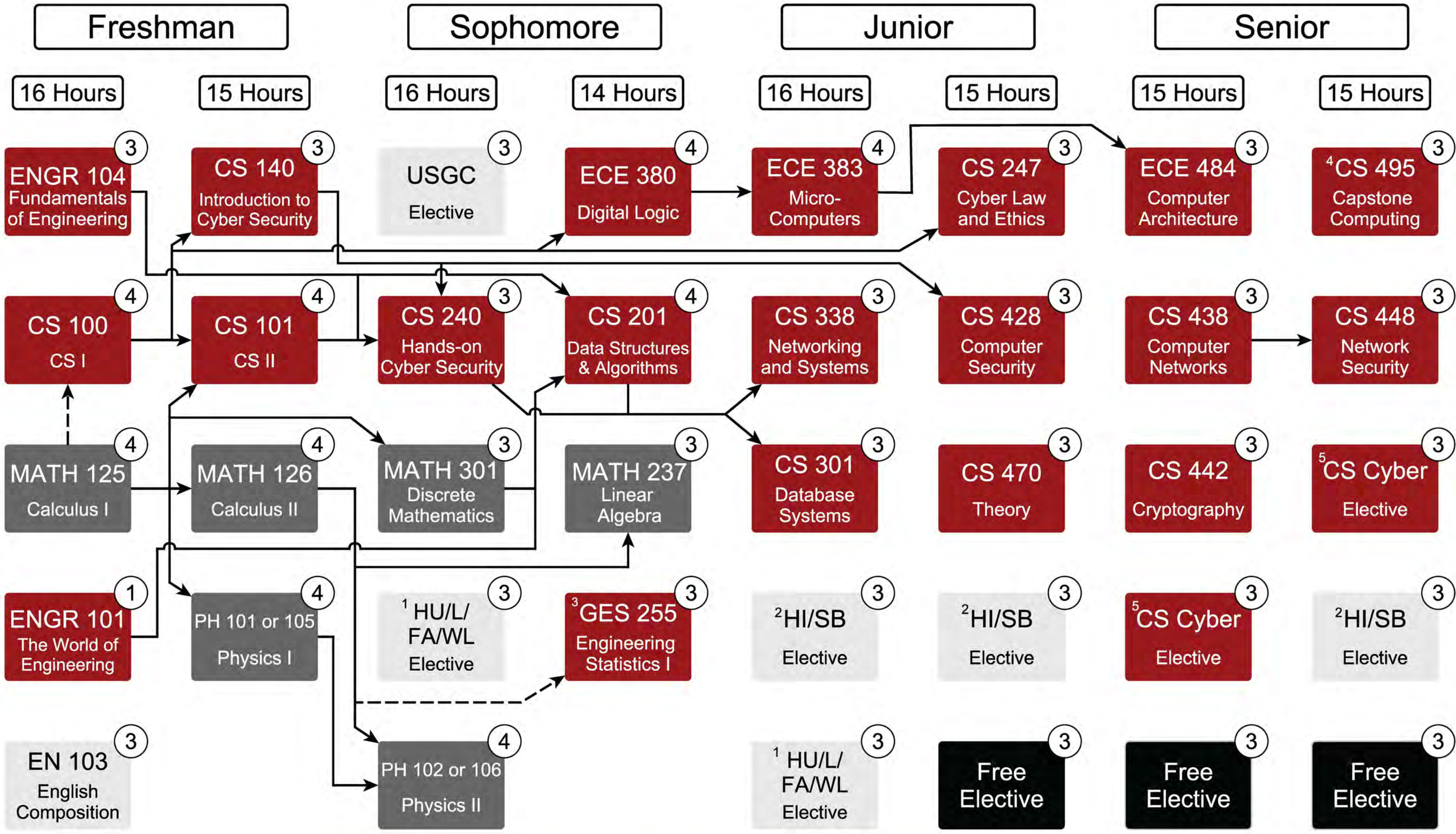


2025 Cyber Security Curriculum

NOTE: This curriculum is effective for all students enrolling in CS 100 in Fall 2025 or later.

→ = course prerequisites.

-----> = prerequisites with concurrency.



ALL 400-level CS courses have CS 338, CS 301, and ECE 383 as their prerequisites.

¹At least 3 credits from courses approved for the Literature designation.

²At least 3 credits from courses approved for the History design.

³MATH 355 can be substituted for GES 255.

⁴CS 495 prerequisites: (CS 403 or CS 470) and (CS 4xx excluding CS 403 and CS 470).

⁵All CS Cyber Electives have CS 428 as a prerequisite.